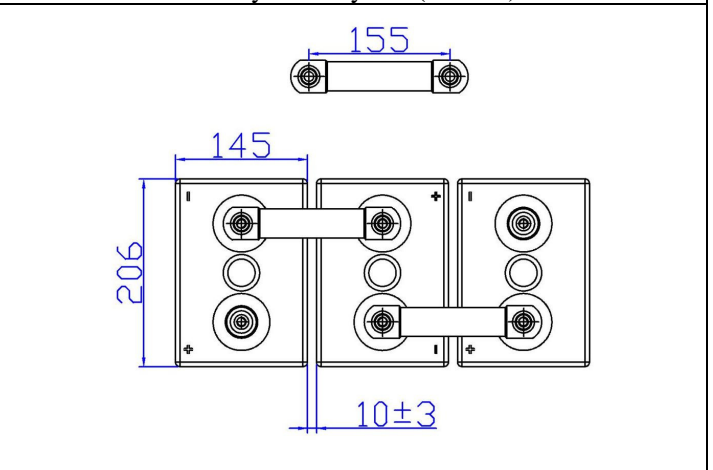
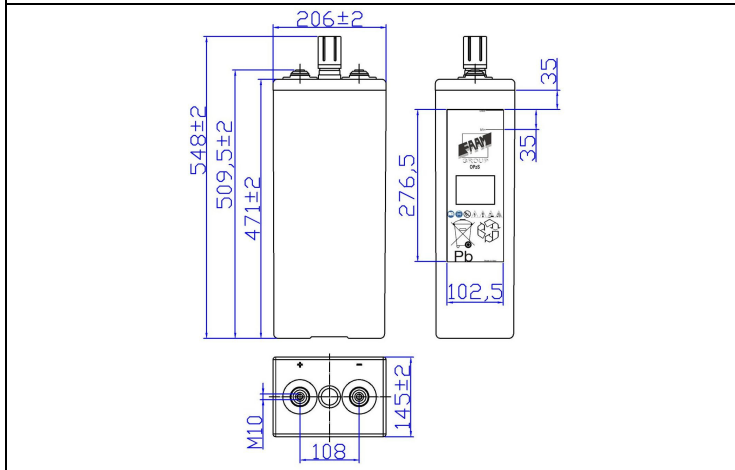




6STA70 – 6OPzS420

DIMENSIONAL FEATURES

Nominal Voltage	2V		Stationary Cell flooded (OPzS) Box material: SAN transparent Lid material: ABS grey color Positive tubular and Negative flat plates Separators with low electric resistance Copper Connection (Cu) section: 3x30mm Standards: CEI EN 60896 Part 11 EN 50272-2 Working temperature: from -20°C to +50°C Plug with ceramic filter Life cycles 20 years (at 20°C)
Nominal Capacity (10 hours)	420Ah (1,80Vfin) at 20°C		
Dimensions	Lenght	145 ±2mm	
	Width	206 ±2mm	
	Box Height	471 ±2mm	
	Total Height	548 ±2mm	
Technical Drawing n°4 00399-0	Weight 33,5 Kg ± 5%		
Screw Terminals: M10 female	Material: brass with protective treatment		



ELECTRIC FEATURES

Characteristics			Charging curves @ 20°C (77 °F)
Capacity	10 hours (1,80Vfin) 8 hours (1,75Vfin) 3 hours (1,70Vfin) 1 hour (1,65Vfin)	420,0 Ah 408,2 Ah 327,2 Ah 222,6 Ah	
Temperature influence on the capacity (10h)	40°C 20°C 0°C	102% 100% 85%	
Internal Resistance Ri: 0,56 mΩ ±10%		SCC Isc: 4000 A ±10%	
Charging Voltage	Standby use	Max charging current 80A Floating Voltage 2,23V at 20°C Boosting Voltage 2,40V at 20°C Temperature Coefficient -20 mV/°C	

Discharge Table at constant Current (Amp) and constant Power (Watt/cell) at 20°C

Time		30min	60min	90min	2hours	3hours	5hours	8hours	10hours	100hours	120hours
1.65V	A	311,22	222,60	173,74	147,89	113,19	76,04	52,92	44,10	5,71	4,84
	W	611,48	404,84	310,26	262,08	196,67	137,03	97,88	79,38	10,30	8,74
1.70V	A	294,46	215,95	170,31	144,97	109,07	75,32	52,42	43,68	5,76	4,89
	W	583,03	391,23	299,38	253,19	191,13	136,39	97,42	78,90	10,26	8,71
1.80V	A	239,40	190,26	155,82	132,64	102,90	71,74	50,40	42,00	5,54	4,70
	W	474,01	340,20	272,16	234,00	178,79	129,28	92,08	75,60	9,97	8,46