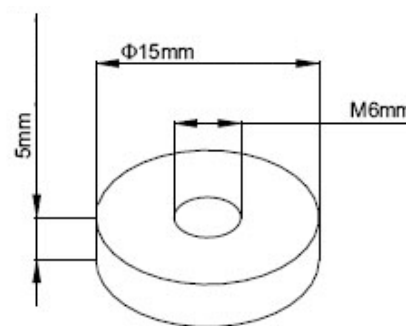
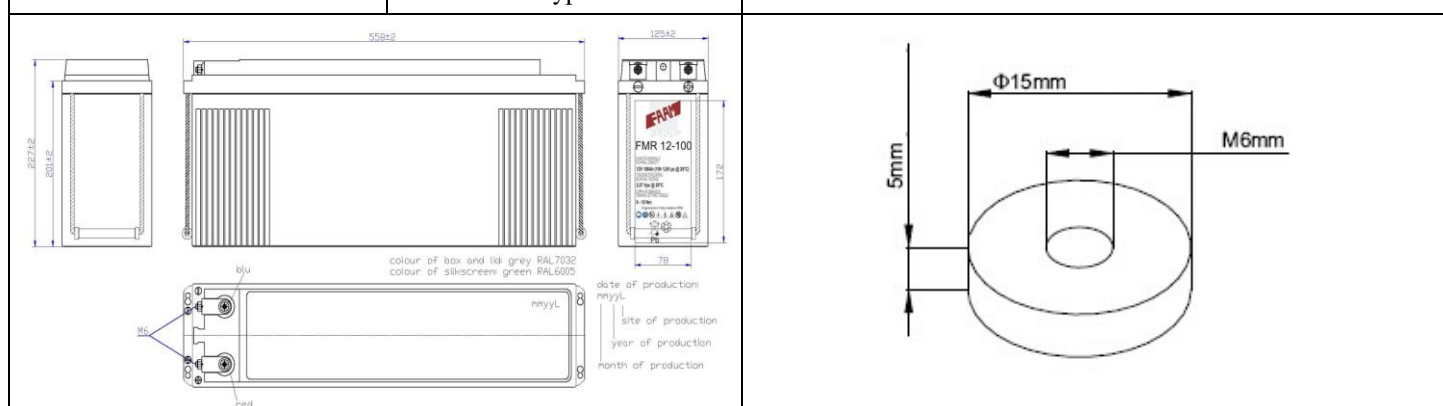
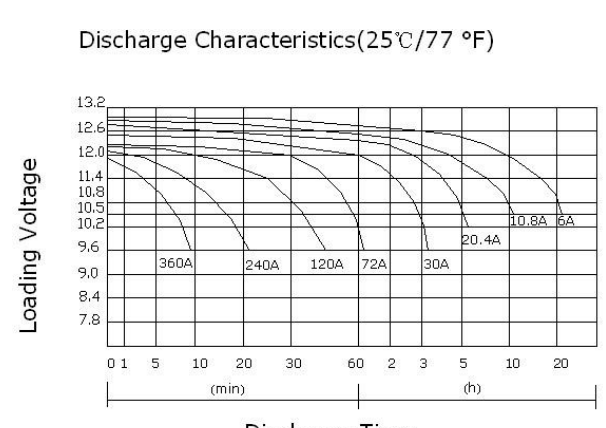
	<h1>FMR 12-100</h1>
--	---------------------

## PHYSICAL SPECIFICATION

Nominal Voltage		12V
Nominal Capacity (10Hr)		100Ah
Dimension	Length	558 ±2mm
	Width	125 ±2mm
	Container Height	227 ±2mm
	Total Height	227 ±2mm
Drawing 400094-1		Weight 38,0 Kg ± 5%
Standard Terminal		Bolt Type: M6



## ELECTRICAL SPECIFICATION

Characteristics			Discharge curves @ 25°C (77 °F)
Capacity	10 hour rate	100,00Ah	
	8 hour rate	98,24Ah	
	5 hour rate	90,50Ah	
	3 hour rate	81,93Ah	
	1 hour rate	62,09Ah	
Capacity affected by temperature	40°C	102%	
	20°C	100%	
	0°C	85%	
Internal Resistance 5 mΩ ±10%		SCC 2250 A ±10%	
Constant Voltage Charge	Cycle	Initial Charging Current less than 30 A Voltage 14,40~15,00V at 20°C Temperature Coefficient -30 mV/°C	
	Stand by	No limit on Initial Charging Current Voltage 13,50~13,80V at 20°C Temperature Coefficient -20 mV/°C	

### Constant Current(Amp) and Constant Power (Watt/Cell) Discharge Table at 20°C

Time		5min	15min	30min	60min	90min	120min	180min	300min	480min	600min
9,9V	A	307,50	172,04	105,19	61,86	42,48	35,56	27,66	19,04	12,64	10,34
	W	593,23	338,13	211,97	129,20	101,16	74,46	53,92	36,97	24,24	20,46
10,2V	A	287,50	165,61	102,95	61,33	42,12	35,36	27,31	18,82	12,58	10,20
	W	575,84	331,68	211,56	128,64	100,72	73,79	53,81	36,48	24,01	19,74
10,8V	A	250,00	149,60	97,40	58,80	40,38	34,00	26,80	18,10	12,18	10,00
	W	502,74	311,64	205,80	126,42	98,98	73,50	53,21	35,48	23,81	19,60