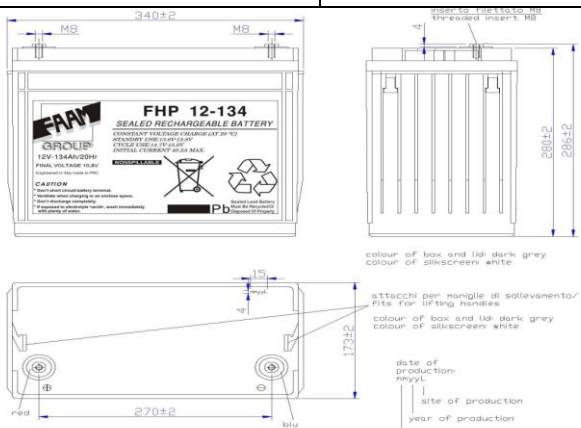
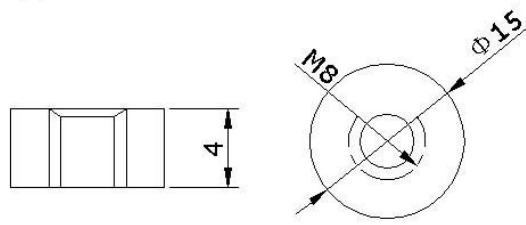
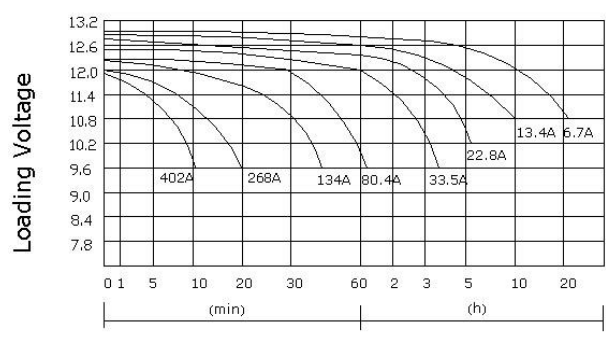
	<h1>FHP 12-134</h1>
--	---------------------

PHYSICAL SPECIFICATION

Nominal Voltage		12V
Nominal Capacity (20Hr)		134Ah
Dimension	Length	340 ±2mm
	Width	173 ±2mm
	Container Height	280 ±2mm
	Total Height	286 ±2mm
Drawing 400248-0		Weight 44,0 Kg ± 5%
Standard Terminal		Bolt Type: M8
 <p>colour of box and lid dark grey colour of silkscreen white</p> <p>attacchi per maniglia di sollevamento/ fits for lifting handles</p> <p>colour of box and lid dark grey colour of silkscreen white</p> <p>date of production month of production year of production site of production</p>		<p>Bolt-and-nut terminal Bolt Type:M8</p>  <p>(in mm)</p>

ELECTRICAL SPECIFICATION

Characteristics			Discharge curves @ 25°C (77 °F)
Capacity	20 hour rate	134,00Ah	<p style="text-align: center;">Discharge Characteristics(25°C/77 ° F)</p> 
	10 hour rate	115,00Ah	
	5 hour rate	105,25Ah	
	3 hour rate	98,37Ah	
	1 hour rate	93,07Ah	
Capacity affected by temperature	40°C	102%	
	20°C	100%	
	0°C	85%	
Internal Resistance 3 mΩ±10%		SCC 3500 A ±10%	
Constant Voltage Charge	Cycle	Initial Charging Current less than 45 A Voltage 14.70~15.00V at 20°C Temperature Coefficient -30 mV/°C	
	Standby	No limit on Initial Charging Current Voltage 13.60~13.80V at 20°C Temperature Coefficient -20 mV/°C	

Constant Current(Amp) and Constant Power (Watt/Cell) Discharge Table at 25°C

Time		5min	10min	15min	20min	30min	45min	60min	90min	2hour	3hour
9.90V	A	491,62	323,17	243,70	171,61	143,69	107,91	86,42	47,59	45,34	34,03
	W	842,69	569,79	476,02	415,80	261,94	228,22	162,49	129,65	110,05	67,50
10.2V	A	458,00	298,73	229,37	162,96	138,86	102,47	82,73	45,92	43,72	32,79
	W	803,31	543,42	468,46	409,20	255,15	222,31	159,47	127,23	108,01	66,71
10.8V	A	420,19	271,57	204,79	144,21	120,75	90,68	73,86	41,75	40,48	30,94
	W	754,42	509,20	444,88	388,60	242,54	211,32	151,15	120,60	102,38	65,66