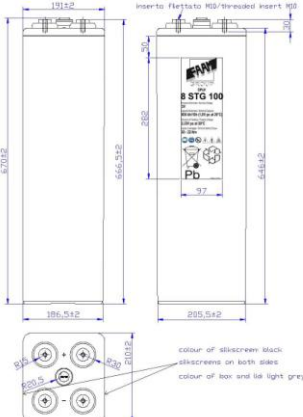
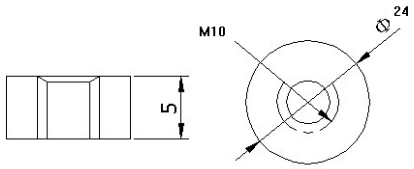
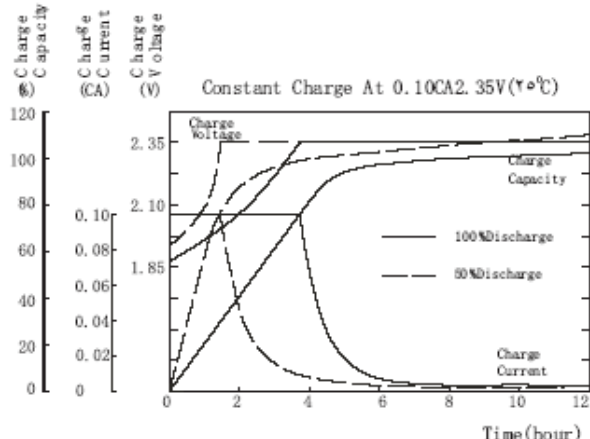
	<h1>8STG100</h1>
--	------------------

## PHYSICAL SPECIFICATION

Nominal Voltage Nominal Capacity (10Hr)		2V 800Ah	Container and lid ABS, FV0 on request
Dimension	Length	210 ±2mm	
	Width	191 ±2mm	
	Container Height	646 ±2mm	
	Total Height	670 ±2mm	
Drawing 400258-0		Weight 68,0 Kg ± 5%	
Standard Terminal		Bolt Type: M10	
			Bolt-and-nut terminal Bolt Type: <b>M10</b>  <p style="text-align: center;">(in mm)</p>

## ELECTRICAL SPECIFICATION

Characteristics			Charging curves @ 20°C
Capacity	10 hour rate	800,00Ah	
	8 hour rate	746,08Ah	
	5 hour rate	647,60Ah	
	3 hour rate	617,82Ah	
	1 hour rate	537,60Ah	
Capacity affected by temperature	40°C	102%	
	20°C	100%	
	0°C	85%	
Internal Resistance 0,32 mΩ±10%		SCC 6500 A ±10%	
Charge Voltage	Standby	Max Charge Current 160 A Floating Voltage 2,23V at 20°C Boost Charge 2,35V at 20°C Temperature Coefficient -20 mV/°C	

### Constant Current(Amp) and Constant Power (Watt/Cell) Discharge Table at 20°C

Time		30 min	60 min	90 min	2 h	3 h	5 h	8 h	10 h	100 h	120 h
1,65V	A	734,40	499,20	412,57	277,33	213,71	137,30	96,00	84,00	10,87	9,22
	W	1071,09	883,70	744,85	616,62	483,48	322,18	227,41	191,10	21,93	18,37
1,70V	A	709,71	477,86	398,10	267,43	205,94	136,00	95,09	83,20	10,97	9,31
	W	1034,47	845,94	718,72	594,59	465,90	319,14	225,24	189,28	22,15	18,55
1,80V	A	617,14	426,66	361,90	247,62	194,29	129,52	91,43	80,00	10,55	8,95
	W	915,46	755,30	653,38	550,55	439,53	303,94	216,58	182,00	21,29	17,84