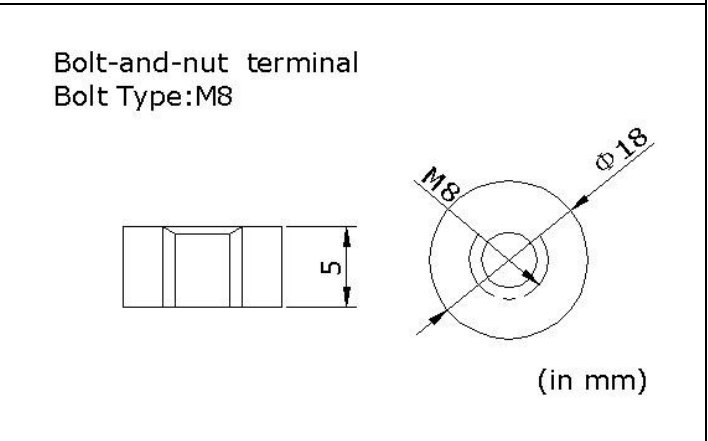
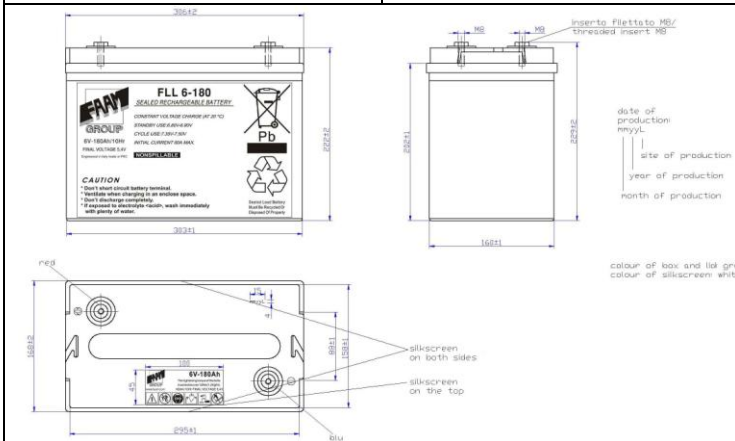


**PHYSICAL SPECIFICATION**

Nominal Voltage	6V		
Nominal Capacity (10Hr)	180Ah		
Dimension	Length	306 ±2mm	
	Width	168 ±2mm	
	Container Height	222 ±2mm	
	Total Height	229 ±2mm	
Drawing	400260-0	Weight	28,0 Kg ± 5%
Standard Terminal		Bolt Type:	M8



**ELECTRICAL SPECIFICATION**

Characteristics			Discharge curves @ 25°C (77 °F)
Capacity	10 hour rate	180,00Ah	<p>Discharge Characteristics(25°C/77 ° F)</p> <p>The graph shows Loading Voltage (Y-axis, 3.9 to 6.6V) versus Discharge Time (X-axis, 0.1 to 20 hours). Curves are shown for current rates of 540A, 360A, 180A, 108A, 45A, 30.6A, 18A, and 9A.</p>
	8 hour rate	173,04Ah	
	5 hour rate	155,60Ah	
	3 hour rate	138,60Ah	
	1 hour rate	110,49Ah	
Capacity affected by temperature	40°C	102%	
	20°C	100%	
	0°C	85%	
Internal Resistance 3,1 mΩ ±10%		SCC 3800 A ±10%	
Constant Voltage Charge	Cycle	Initial Charging Current less than 560A Voltage 7,35~7,50V at 20°C Temperature Coefficient -30 mV/°C	
	Stand by	No limit on Initial Charging Current Voltage 6,80~6,90V at 20°C Temperature Coefficient -20 mV/°C	

**Constant Current(Amp) and Constant Power (Watt/Cell) Discharge Table at 25°C**

Time		5min	15min	30min	60min	90min	120min	180min	300min	480min	600min
4.95V	A	677,25	365,40	201,16	109,93	90,64	76,61	46,30	31,75	21,89	18,90
	W	993,82	554,55	355,63	234,36	171,08	132,93	96,66	67,44	45,59	37,62
5.1V	A	670,95	361,62	195,15	109,84	74,42	62,90	46,20	31,63	21,80	18,62
	W	924,48	543,48	339,86	222,48	162,41	132,30	96,20	66,46	44,93	37,19
5.4V	A	630,00	315,00	185,40	107,28	72,68	61,43	45,68	31,12	21,46	18,00
	W	770,40	480,96	321,84	216,00	157,68	126,00	91,62	63,90	43,20	36,00